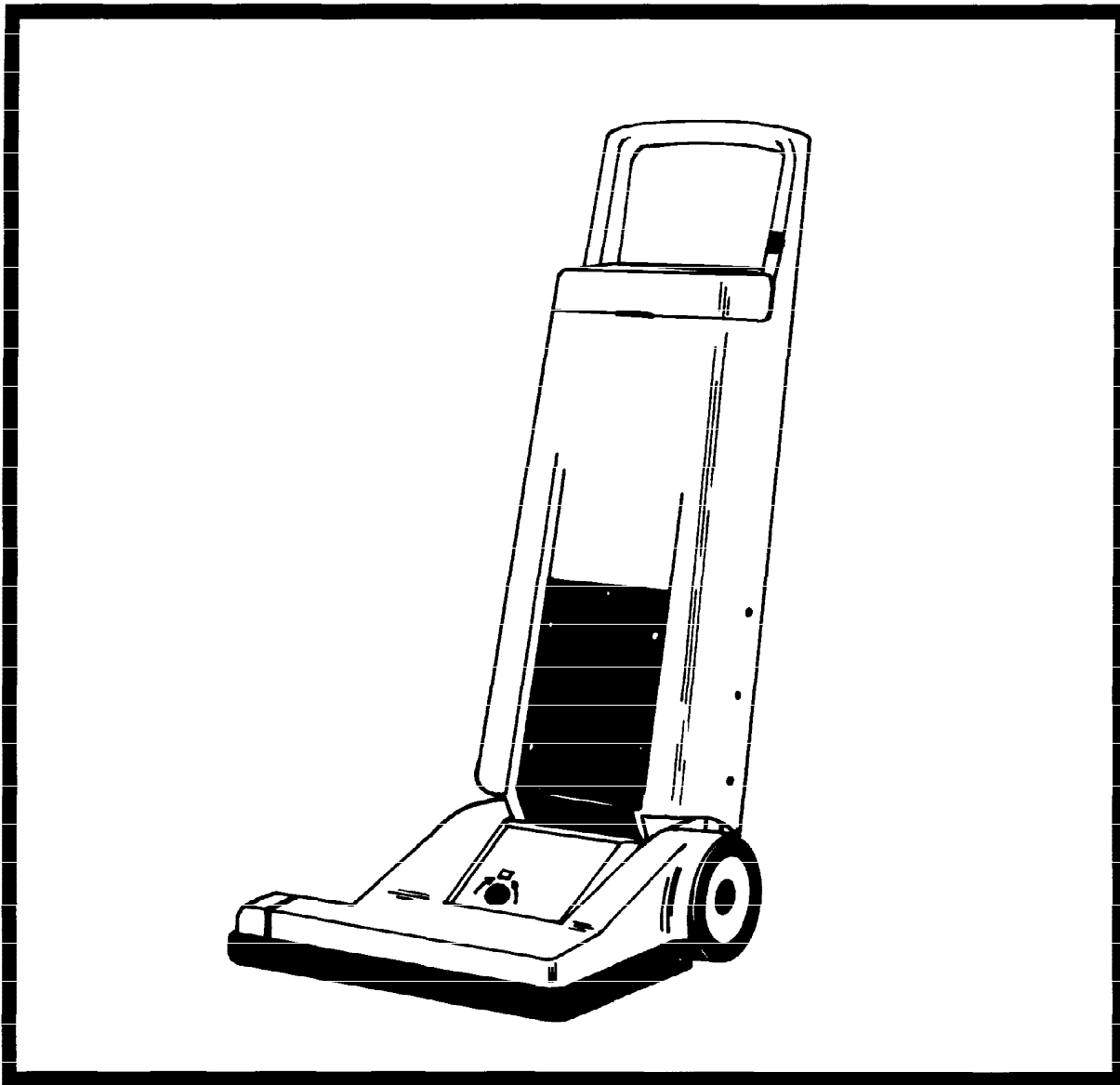


**MC829000**

**Model: 1600 Vac**

■ OPERATION ■ SERVICE ■ PARTS ■ CARE



Revised 5/94

***Minuteman***<sup>®</sup>

## **FOR COMMERCIAL USE ONLY**

### **IMPORTANT SAFETY INSTRUCTIONS**

When using an electrical appliance, basic precautions should always be followed, including the following:

#### **READ ALL INSTRUCTIONS BEFORE USING**

#### **WARNING - To reduce the risk of fire, electric shock, or injury:**

- Do not leave appliance when plugged in. Unplug from outlet when not in use and before servicing.

#### **WARNING**

To avoid electric shock, use indoors only.

- Do not allow to be used as a toy. Close attention is necessary when used by or near children.
- Use only as described in this manual. Use only manufacturer's recommended attachments.
- Do not use with damaged cord or plug. If appliance is not working as it should, has been dropped, damaged, left outdoors, or dropped into water, return it to a service center.
- Do not pull or carry by cord, use cord as a handle, close a door on cord, or pull cord around sharp edges or corners. Do not run appliance over cord. Keep cord away from heated surfaces.
- Do not unplug by pulling on cord. To unplug, grasp the plug, not the cord.
- Do not handle plug or appliance with wet hands.
- Do not put any object into openings. Do not use with any opening blocked; keep free of dust, lint, hair, and anything that may reduce air flow.
- Keep hair, loose clothing, fingers, and all parts of body away from openings and moving parts.
- Do not pick up anything that is burning or smoking, such as cigarettes, matches, or hot ashes.
- Do not use without dustbag and/or filters in place.
- Turn off all controls before unplugging.
- Use extra care when cleaning on stairs.
- Do not use to pick up flammable or combustible liquids such as gasoline or use in areas where they may be present.
- Connect to a properly grounded outlet only. See grounding instructions.

### **SAVE THESE INSTRUCTIONS**

## OPERATING INSTRUCTIONS

### INSPECTION

Carefully unpack and inspect your floor machine for shipping damage. Each unit is tested and thoroughly inspected before shipment and any damage is the responsibility of the delivering carrier who should be notified immediately. Read all instruction carefully before operating.

### WARNING

Electric shock could occur if used outdoors or on wet surfaces.

Electrical motors can cause explosions when operating near explosive materials or vapors. Do not operate this machine near flammable materials such as solvents, thinners, fuels, grain dust, etc.

### ELECTRICAL

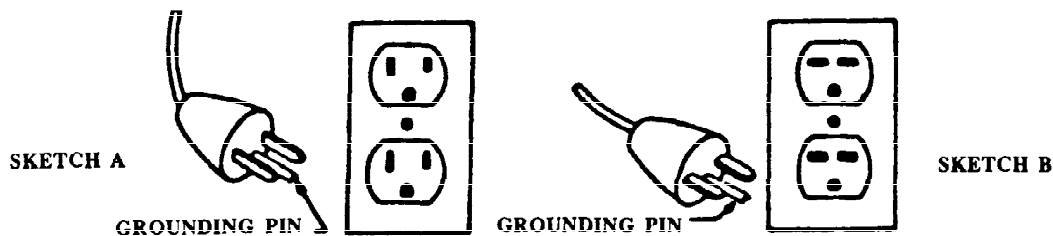
This machine is designed to operate on a standard 15 amp, 115 volt, 60 hz, AC circuit. Voltages below 105 volts AC or above 125 volts AC could cause serious damage to the motor.

### GROUNDING INSTRUCTIONS

To protect the operator from electrical shock, this machine must be grounded while in use. This machine is equipped with an approved three-conductor power cord and grounding type plug to fit the proper grounding type receptacle.

This machine is for use on a nominal 120 volt circuit and has a grounding type plug that looks like the plug illustrated in Sketch A. Make sure that the machine is connected to an outlet having the same configuration as the plug. No adapter should be used with this machine.

For equipment rated 150-250 volts: If the machine is provided with an attachment plug as shown in Sketch B, it is intended for use on a 240 volt (nominal) circuit. No adapter is available for this plug.



### EXTENSION CORDS

If an extension cord is used, the wire size must be at least one size larger than the power cord on the machine and must be limited to 25 feet in length. Extension cord must be three-wire grounded.

## OPERATING INSTRUCTIONS

Your upright vacuum is equipped with a 54" pull-out hose for cleaning remote areas such as ash trays, desk tops, window sills, etc. The cuff may be used alone or with 1 1/2" attachments.

To use, pull out hose, grasp cuff, lift up out of hose seat and pull hose down through grommet opening located in lower rear of tank. Turn vacuum switch on. Fig. I.

To replace hose, with vacuum on, grasp cuff in one hand while covering opening with the other. This action permits the hose to contract while being drawn back into the tank. NOTE: Hose may have to be guided through grommet opening in tank bottom. Fig. II.

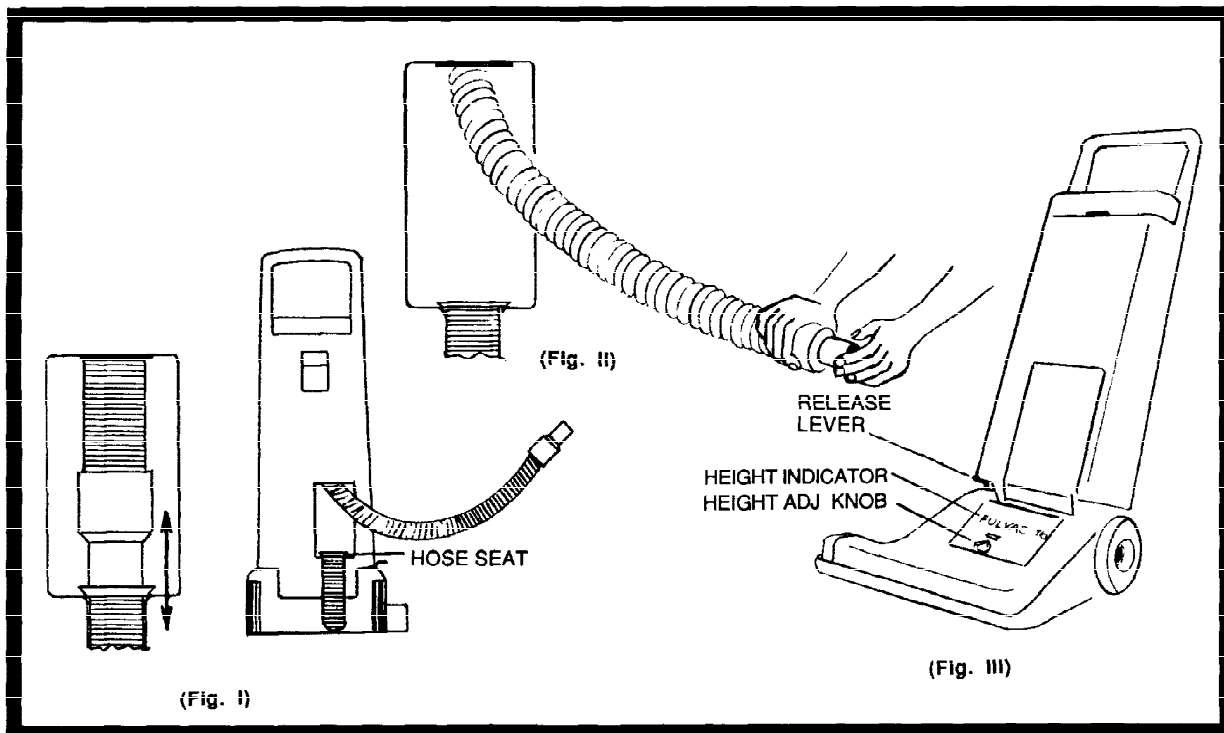
Machine is equipped with a height adjustment knob to raise and lower pressure of brush on floor. Turn clockwise for less brush pressure, counter-clockwise for more brush pressure.

There is also a height indicator located directly behind the height adjustment knob. The indicator has three (3) colors on it to gauge height quickly. See Fig. III.

White • High      Orange • Medium      Black • Low

To adjust elevation of handle, use the release lever located on the right side of the machine near bottom of tank (standing behind the machine). Three (3) positions. Fig. III.

For your protection, floor brush will not operate in upright position even though vacuum may be on. This prevents damage to floor while using pull-out vacuum hose.



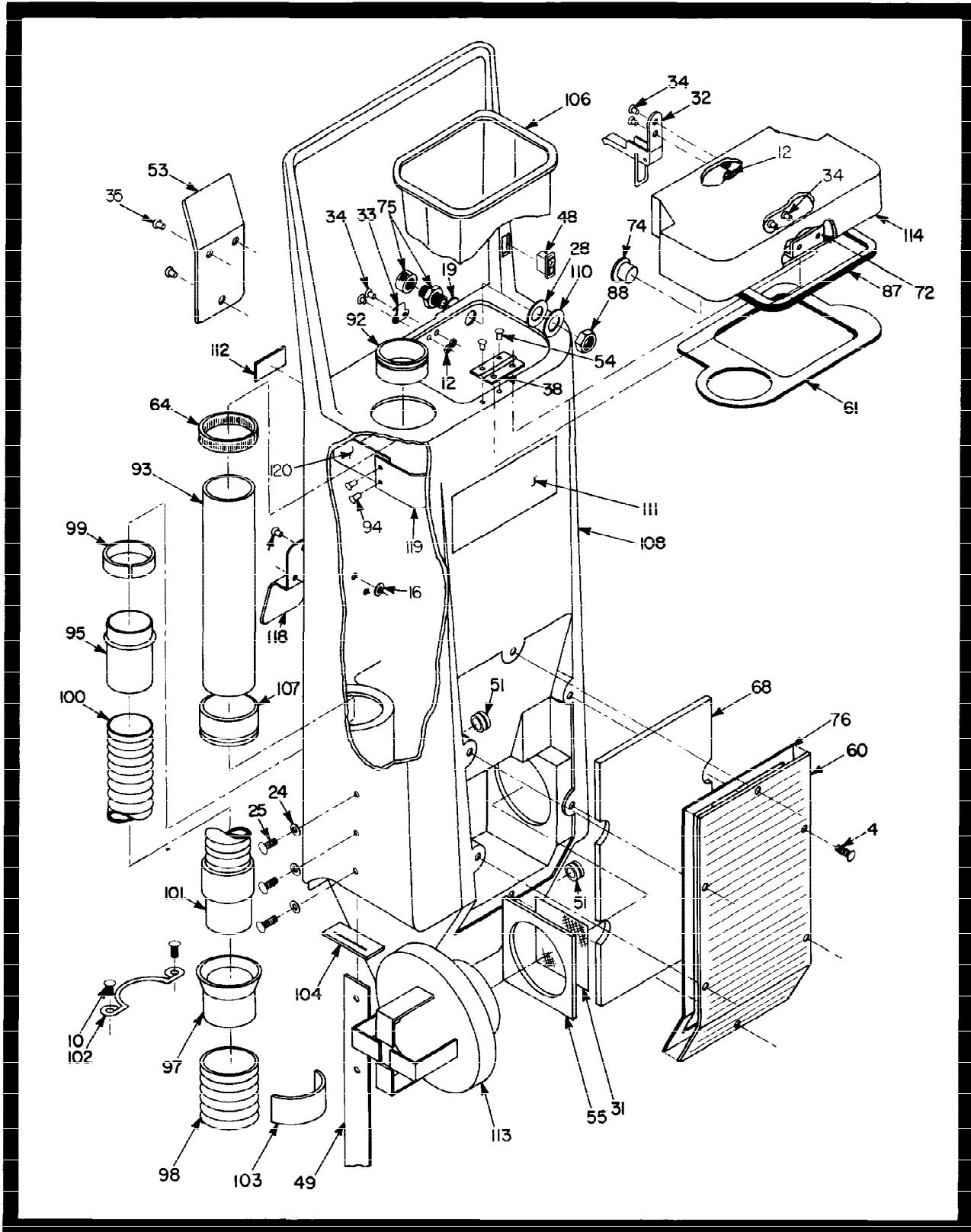
## NOTICE

There is an optional set of brush bearing holders available for your Model 1600. When the bristle length of the brush has worn down approximately  $\frac{3}{16}$  to  $\frac{1}{4}$  of an inch, the bearing blocks should be changed from the original set assembled in the machine to the optional set. The additional set, will lower the brush  $\frac{1}{4}$  of an inch closer to the floor for extra brush life. The part number for the bearing block is 829060.

To replace the bearing block holders remove the four screws which hold the brush plate in place and pull the brush out of the base. The drive pulley will have to be removed from the drive end to disassemble the bearing block. Next pull the bearing blocks off each bearing and assemble the new ones. Now reassemble the remaining parts in reverse order that they were disassembled. The brush should be  $\frac{1}{4}$  of an inch closer to the floor after assembly has been completed. These extra bearing block holders will allow you to get twice the life from each brush. When a new brush is assembled in the machine, the original bearing block holders should again be put back in place of the optional set which had previously been assembled to the machine, to give proper brush height.

## ITEMS TO CHECK

- \*Make sure the hose and stand pipe into the dust bag is clear and unobstructed.
- \*If your vacuum is not picking up properly, check hose and pipe immediately.
- \*Be especially careful in vacuuming a new carpet, as it will have a lot of loose pile and the bag will fill quickly.
- \*Keep brush clean of hair and string.





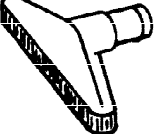

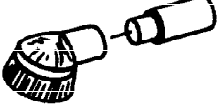



## PARTS LIST

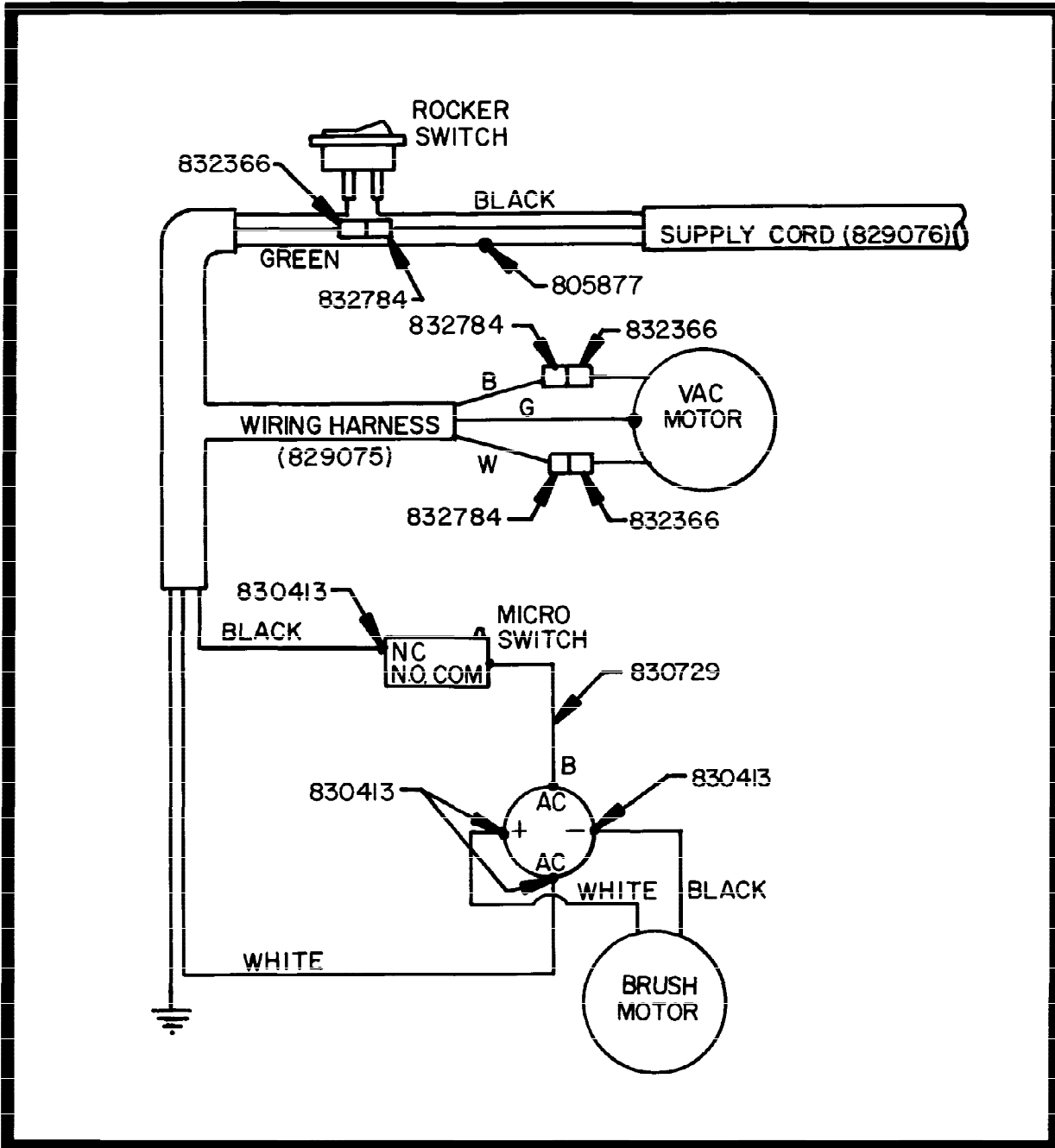
ITEM	PART NO.	QTY.	DESCRIPTION	ITEM	PART NO.	QTY.	DESCRIPTION
1	700430	4	Ring Snap	62	829063	1	Spring Release Lever
2	700435	3	Washer Spring	63	829066	3	1600 Disp. Paper Filtr.
3	700599	2	Rollpin	64	829067	1	Hose Clamp
4	710128	6	Scr-MC 8-32 x .37	65	829073	1	Bumper
5	710130	2	Scr-MC 8-32 x .62	66	829075	1	Harness
6	710304	1	Scr-MC 6-32 x .62	67	829076	1	Cord Assy.
7	710310	2	Scr-MC 6-32 x 1.5	68	829461	1	Motor Noise Pad
8	711047	1	Scr-SK 5/16-18 x 1.50	69	829476	1	Motor Gasket
9	711116	1	Scr-ST-A 10 x .37	70	829477	2	Bearing Block
10	711117	3	Scr-ST-A 10 x .50	71	829487	1	Brush Plate
11	711141	1	Scr-ST-F 10-24 x .50	72	829507	1	Bracket Hinge
12	711304	4	Nut-Hex 8-32	73	829532	1	Brush Plate Spring
13	711310	2	Nut-Hex 10-32	74	829557	1	Cap, Plug
14	711420	2	Nut-Hex Jam 5/16-18	75	829741	1	Strain Relief
15	711435	3	Nut-Flanged Wizz 6-32	76	829763	1	Gasket
16	711503	5	Wsr-Flat #10	77	829812	1	Foam Filter
17	711504	1	Wsr-Flat 3/16	78	829822	1	Belt, Drive M1600
18	711506	1	Wsr-Flat 5/16	79	829884	1	Decal Fullvac
19	711513	1	WF .689 x 1.06 x .029	80	829999	1	Release Lever
20	711534	2	WSR-Helical .19 x .41 x .02	81	830254	1	Mount Motor
21	711544	4	WSR-Helical 1/4	82	830413	4	Term FM Insulated
22	711575	4	Wsr-Flat .31 x .75 x .06	83	830504	4	Screw 1/4 x 3/4 Hi Lo Pan
23	712078	4	Scr-St-25 FH 10-16 x .75	84	830505	6	Screw #10-5/8 Hi Lo Pan
24	712312	9	Wsr-Fin .23 x .59	85	830729	1	Lead Assy. Black
25	712818	6	Scr-MC 10-24 x .50	86	831261	1	Rectifier
26	712819	3	Scr-MC 10-24 x .75	87	831712	1	Gasket
27	712908	3	Nut-Flanged Wizz 10-24	88	832202	1	Nut
28	804164	1	Washer Rubber	89	832366	3	Term, Male Spade Ins.
29	805877	3	Connector Wire	90	832418	1	Knob Adj. 5/16 x 18
30	806294	1	Bushing	91	832474	1	Block, Height Adj.
31	807051	1	Screen Filter	92	832719	1	Grommet
32	827664	1	Latch	93	832720	1	Tube
33	827665	1	Strike	94	831916	4	Pop Rivet
34	827667	4	Rivet Pop	95	832783	1	Sleeve, Hose
35	828893	6	Rivet Pop	96	832784	3	Term, FM Spade ins.
36	829007	1	Brush, Pile	97	832785	1	Seat, Hose
37	829008	1	Shaft	98	832786	1	Vac Hose
38	829011	1	Hinge	99	832787	1	Felt, Seal
39	829018	1	Sleeve Assy.	100	832790	1	Hose, Vac Tank
40	829019	1	Indicator Height	101	832792	1	Cuff
41	829024	1	Cover Plate	102	832793	1	Clamp
42	829032	4	Retaining Ring	103	832808	1	Spacer Pad
43	829036	2	Wheel Assy.	104	832872	2	Seal for 1600 Base
44	829037	1	Slide Bracket	105	833034	1	Heat Shrink 4"
45	829042	2	2" Ball Wheel	106	833104	1	Filter Bag
46	829044	2	Bearing	107	833228	1	Grommet
47	829045	1	Switch Micro	108	833244	1	New Style Tank
48	829047	1	Switch	109	829823	1	Pulley
49	829048	1	R/H Strut	110	833609	1	Washer
50	829049	1	L/H Strut	111	715005	1	Decal, Lg. HAKO Min. OR/BK
51	829050	3	Grommet	112	715029	1	Decal, Serial Name Plate
52	829052	2	Flanged Bushing	113	807535	1	Power Unit
53	829053	1	Cord Retaining	114	829005	1	Cap
54	829055	4	Pop Rivet	115	830824	1	Fulvac Base Painted
55	829056	1	Gasket	116	832948	1	Decal 1600
56	829057	1	Pin Lever	117	833442	1	Motor Brush 1/8 HP 115V
57	829058	2	Axle	118	833805	1	Cord Hook, Bottom
58	829059	2	Axle Caster	119	833856	1	Tank Brace Front
60	829061	1	Cover Screen	120	833854	1	Tank Brace Rear
61	829062	1	Gasket	123	833443	1	Pulley
				XX	833765	1	Replacement Tank Asy.



**OPTIONAL  
GENERAL CLEANING KIT  
700025**

	<p>761228 832284 832285</p> <p>1 1/2" x 54" Wand Assembly Nut/Repl. Sleeve/Repl.</p>
	<p>800124</p> <p>Utility Nozzle</p>
	<p>800603 807334</p> <p>14" Brush Floor Tool Brush/Repl.</p>
	<p>601032 17916</p> <p>Rug Nozzle 11" Brush/Repl.</p>
	<p>800083 804006 808023</p> <p>3" Round Dust Brush W/Adapter 3" Dust Brush Adapter</p>
	<p>800035</p> <p>12" Fibre Crevice Tool</p>

### Wiring Diagram



## LIMITED WARRANTY

Minuteman International, Inc. warrants to the original purchaser/user that this product is free from defects in workmanship and materials under normal use and service for a period of two years from date of purchase. In addition, Minuteman International, Inc. will, at its option, honor labor warranty claims for the first 12 months from date of sale, provided such claims are submitted through and approved by factory authorized repair stations. Minuteman International, Inc. will, at its option, repair or replace without charge, except for transportation costs, parts that fail under normal use and service when operated and maintained in accordance with the applicable operation and instruction manuals.

This warranty does not apply to normal wear, or to items whose life is dependent on their use and care, such as belts, cords, switches, hoses, rubber parts, electrical motor components or adjustments. Parts not manufactured by Minuteman International, Inc. such as engines, batteries, battery chargers, hydraulic pumps, and tires are covered by and subject to the warranties and/or guarantees of their manufacturers. Please contact Minuteman International, Inc. for procedures in warranty claims against these manufacturers.

**Special warning to purchaser** -- Use of replacement filters and/or prefilters not manufactured by Minuteman International, Inc. or its designated licensees, will void all warranties expressed or implied.

A potential health hazard exists without exact original equipment replacement.

All warranted items become the sole property of Minuteman International, Inc. or its original manufacturer, whichever the case may be.

Minuteman International, Inc. disclaims any implied warranty, including the warranty of merchantability and the warranty of fitness for a particular purpose. Minuteman International, Inc. assumes no responsibility for any special, incidental or consequential damages.

This limited warranty is applicable only in the U.S.A. and Canada, and is extended only to the original user/purchaser of this product. Customers outside the U.S.A. and Canada should contact their local distributor for export warranty policies. Minuteman International, Inc. is not responsible for costs or repairs performed by persons other than those specifically authorized by Minuteman International, Inc. This warranty does not apply to damage from transportation, alterations by unauthorized persons, misuse or abuse of the equipment, use of non-compatible chemicals, or damage to property, or loss of income due to malfunctions of the product.

If a difficulty develops with this machine, you should contact the dealer from whom it was purchased.

This warranty gives you specific legal rights, and you may have other rights which vary from state to state. Some states do not allow the exclusion or limitation of special, incidental or consequential damages, or limitations on how long an implied warranty lasts, so the above exclusions and limitations may not apply to you.

# **Minuteman**<sup>®</sup>

**World Headquarters**  
Minuteman International, Inc.  
111 South Rohlwing Road  
Addison, Illinois 60101

(708) 627-6900  
FAX (708) 627-1130

Minuteman Canada, Inc.  
84-E Brunswick Blvd.  
Dollard des Ormeaux  
Quebec H9B 2C5

(514) 683-3880  
FAX (514) 683-0809

985724  
Printed in U.S.A.